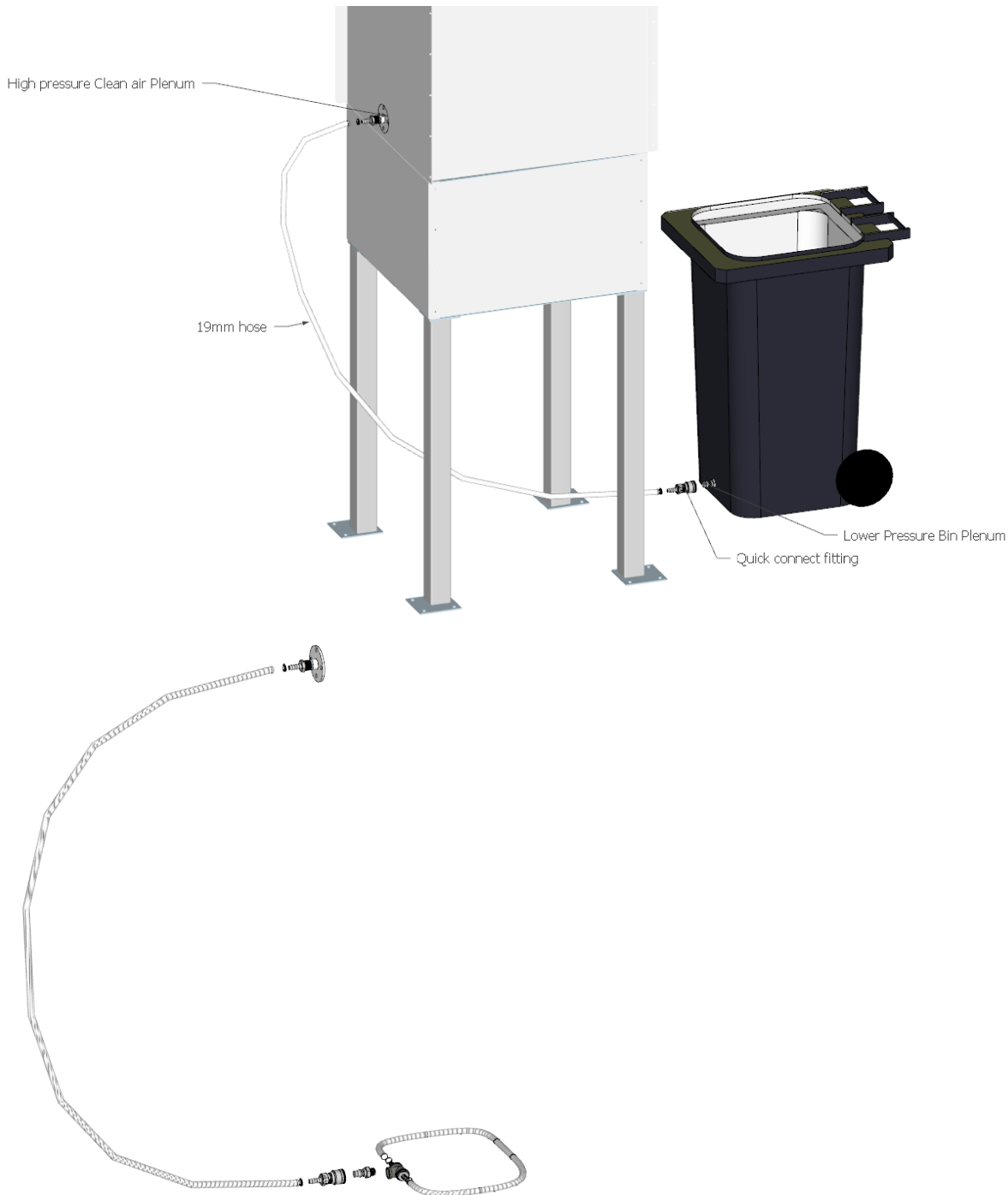
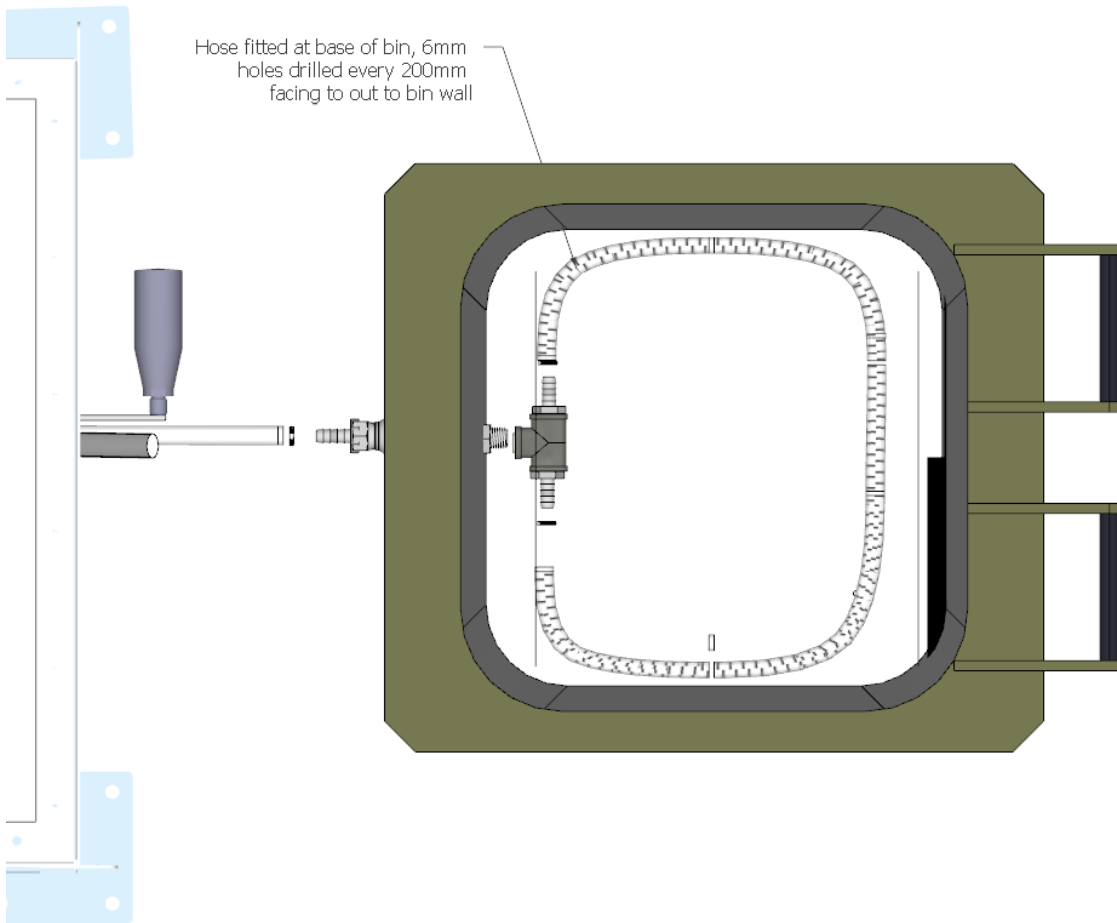
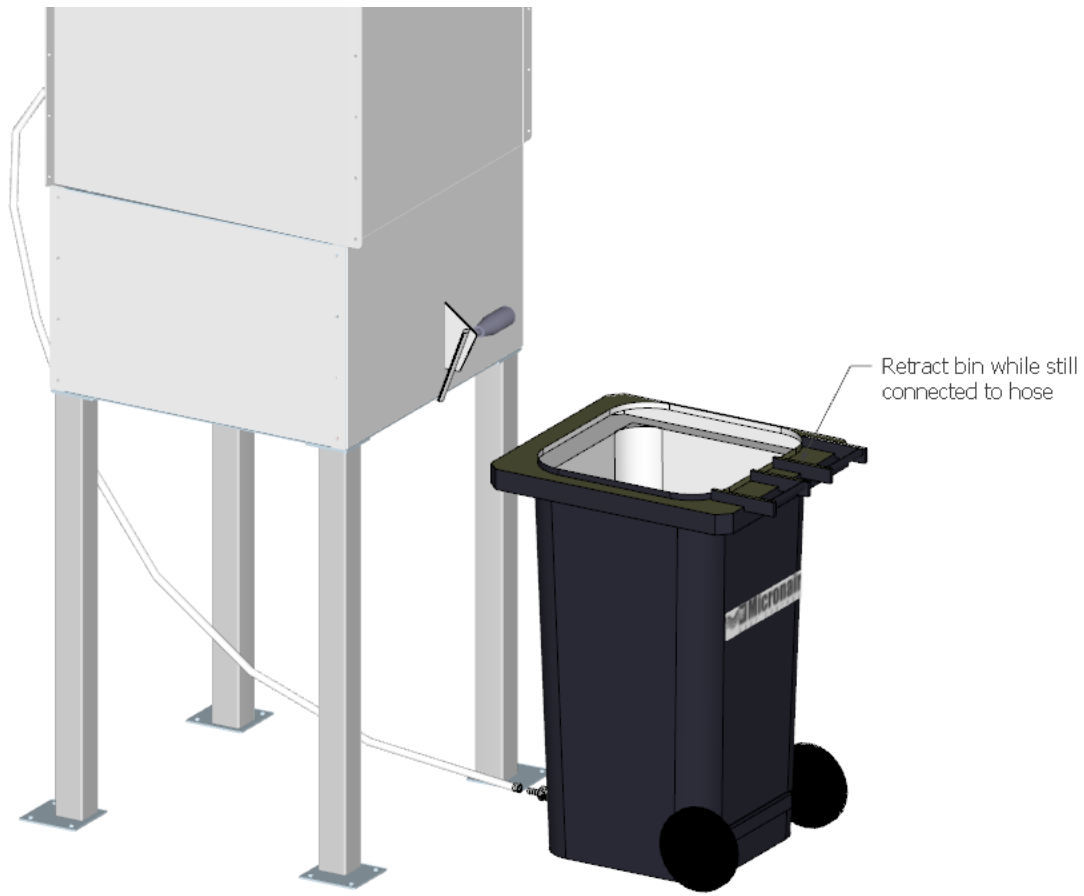


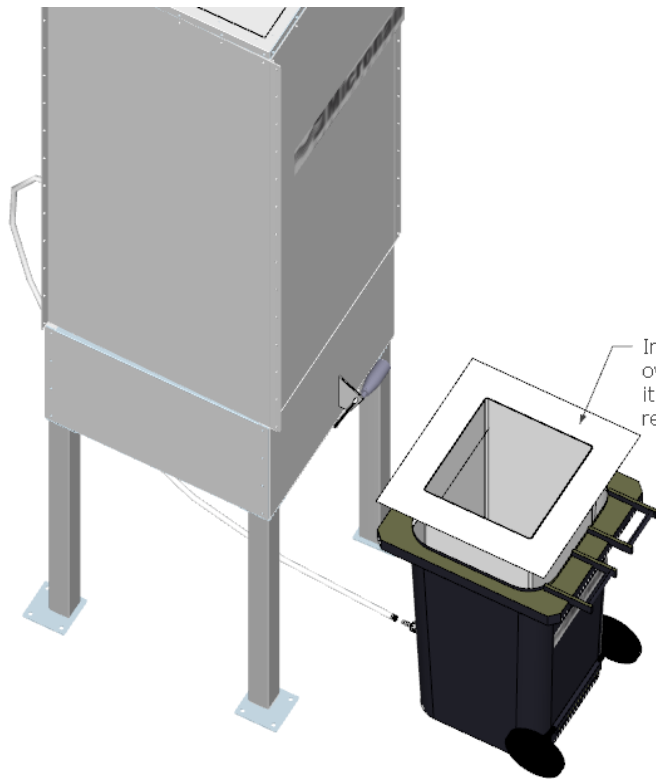
Bag Vacuum fitting for 240lt Bin

Heavy duty 3/4" Hose line with quick fitment to bin.

The principal is the hose being fitted to the Clean side Plenum of the dust collector with have higher pressure due to no filter resistance compared to the lower dirty side plenum and bin. This extra pressure in the hose opposes the air inside the bin and retracts any air built up between the bin liner and the bin stopping it from floating up and potentially blocking the collector.







Insert Plastic bag and fold over bin edges, with the dust collector running it will suck the bag liner to bin firmly, then the bin can be re-inserted with or without the machine running